

FireLine®

A gypsum plasterboard comprises of gypsum compound mixed with fiberglass and micro silica in the core, bounded in pink faced paper.



FireLine® is universally used in Gyproc wall partitioning systems, wall linings and ceiling systems to give increased fire protection. The qualities of the plasterboard allows high-performance fire rated systems to be developed for fire rating up to 2 hours.

Gyproc emphasized on the importance of fire protection on Life Safety and Property Protection through hundreds of systems developed, tested and certified by local authorities.



CHARACTERISTICS

Gypsum plasterboard with fiberglass and micro silica in the core to improve the cohesive properties of the plasterboard at high temperatures.

RECOMMENDED USE

Universally used for wall and ceiling systems that requires fire performance.

PRODUCT FORMAT

Thickness	12.5mm*	15mm
Nominal Weight	10.50kg/m ²	12.45kg/m ²
Nominal Sheet Size	1220mm x 2440mm	
Edge Type	Recessed Edge	Square Edge
		

*Available upon request. Use as part of system component.

FIRE RATING

- Non-combustible in accordance to BS 476: Part 4
- Low fire propagation in accordance to BS 476: Part 6
- Class 1 surface spread of flame in accordance to BS 476: Part 7
- Classified as Class 0 material in accordance to BS 476: Part 6 & 7
- Complete GypWall and ceiling system able to provide up to 2 hours fire rating in accordance to BS 476: Part 22

MANUFACTURING SPECIFICATIONS

- In compliance with ASTM C1396M and BS EN 520

HANDLING AND WORKABILITY

- Lightweight
- Quick and easy installation

THERMAL INSULATION

- Recommended design thermal conductivity, k-value = 0.18 W/m.K

HEALTH AND ENVIRONMENTAL CONTRIBUTIONS

- Made from 100% natural gypsum
- Recyclable material, hence environmentally friendly and certified with Green Product Certification Scheme
- Does not produce toxic fumes or hazardous substance that are harmful to health
- Product is manufactured in a facility certified to standards of ISO 14001, ISO 45001

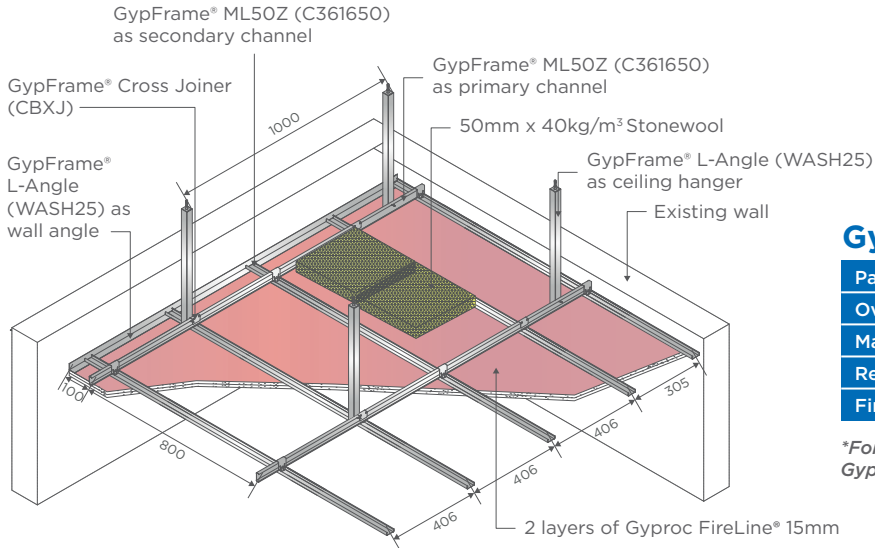
QUALITY ASSURANCE

- Product is manufactured in a facility certified to ISO 9001



Gyproc FIRE system emphasized on the importance of fire protection and provides up to 2 hour fire rating tested and certified by authorities.

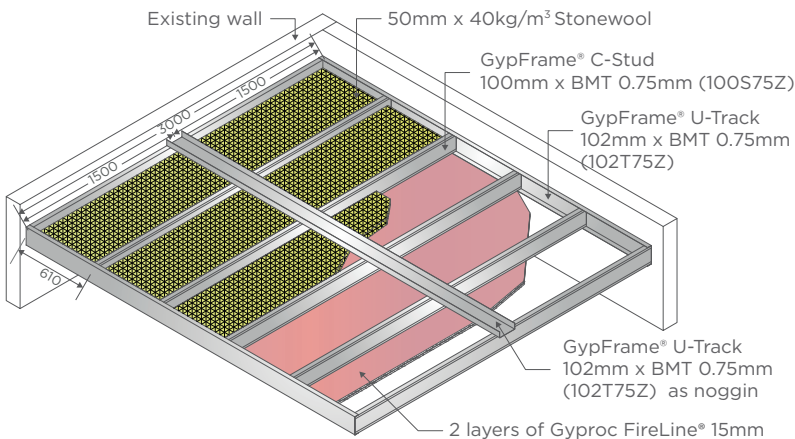
Gyproc FIRE Concealed Ceiling System (1 Hour Fire Rated)



Gyproc ML50Z

Parameters	Values
Overall System Weight	29.90kg/m ³
Maximum Allowable Loads	3.00kg/m ²
Recommended Ceiling Drop	≤ 1.50m
Fire Rating (BS476:PART22)	1 Hour

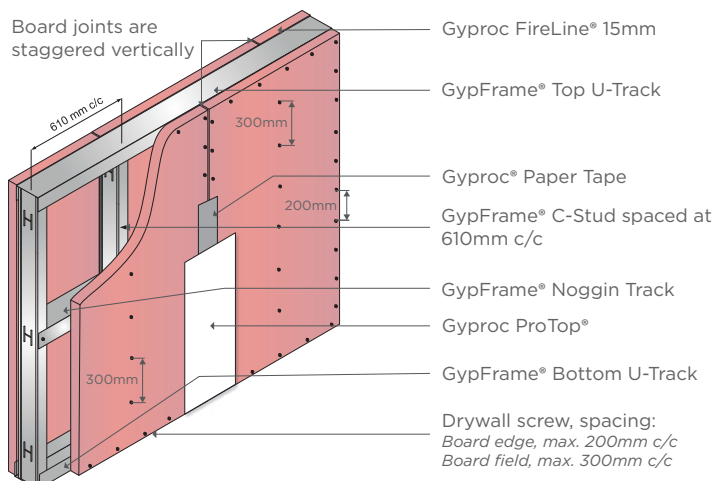
*For ceiling drop more than 1.50m, please contact Gyproc for recommendation



Gyproc Self-Supported 100S75Z

Parameters	Values
Overall System Weight	31.00kg/m ³
Maximum Allowable Loads	3.00kg/m ²
Recommended Maximum Span Width	3.00m
Fire Rating (BS476:PART22)	1 Hour

Gyproc FIRE Wall System (1 Hour Fire Rated)

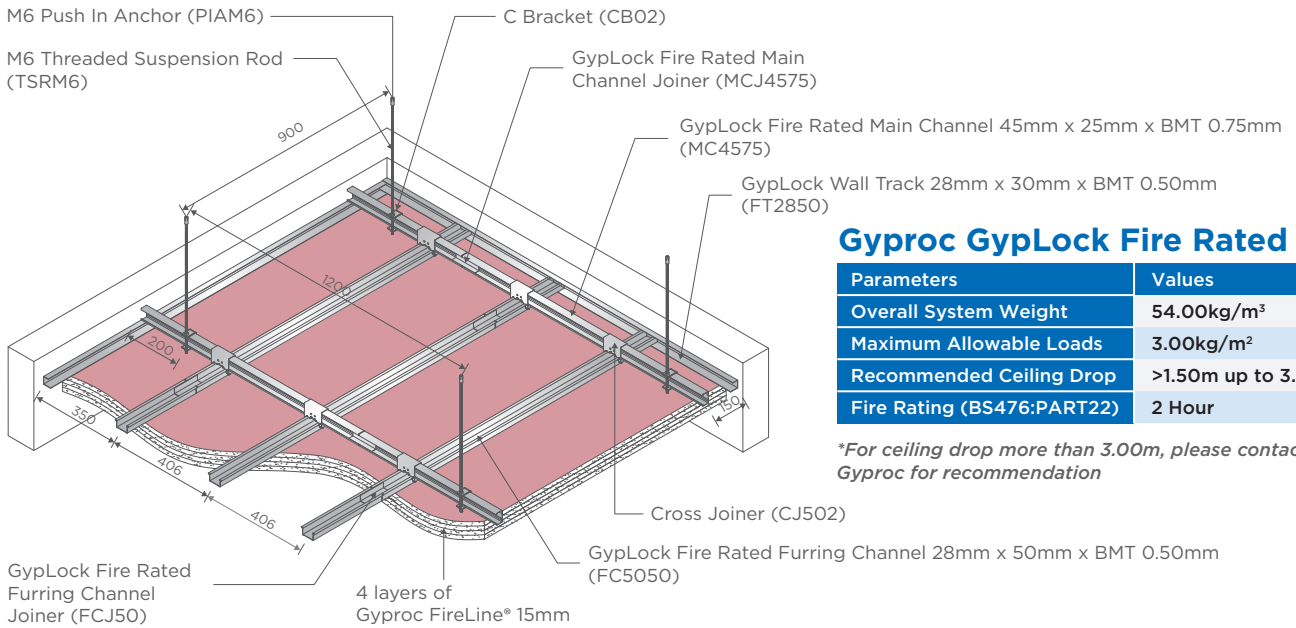


GypWall FIRE SLFL

Parameters	Values
Duty Rating (BS 5234:Part 2)	Severe
Fire Rating (BS 476:Part 22)	1 Hour

*Kindly consult Gyproc for recommendation for wall height more than above stated value

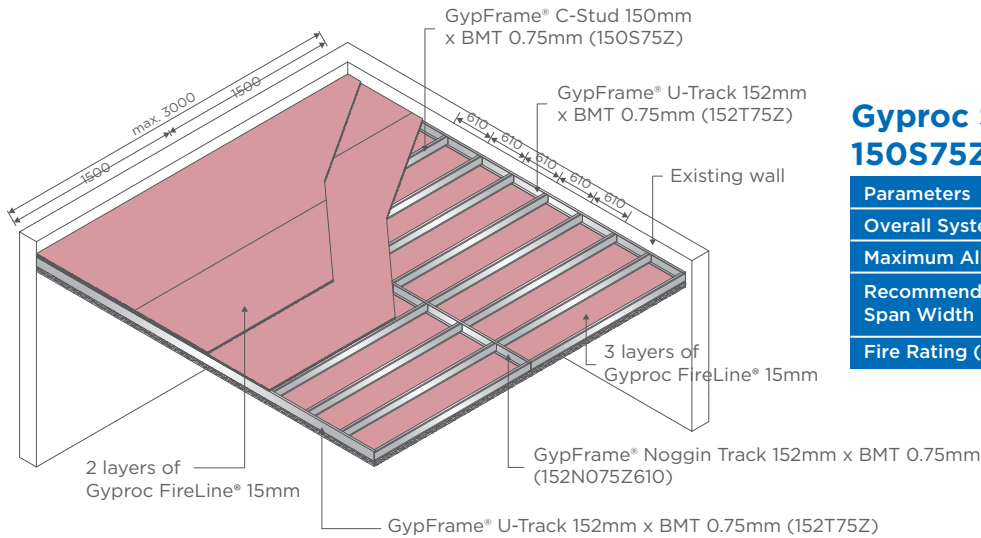
Gyproc FIRE Concealed Ceiling System (2 Hours Fire Rated)



Gyproc GyprocLock Fire Rated

Parameters	Values
Overall System Weight	54.00kg/m ³
Maximum Allowable Loads	3.00kg/m ²
Recommended Ceiling Drop	>1.50m up to 3.00m
Fire Rating (BS476:PART22)	2 Hour

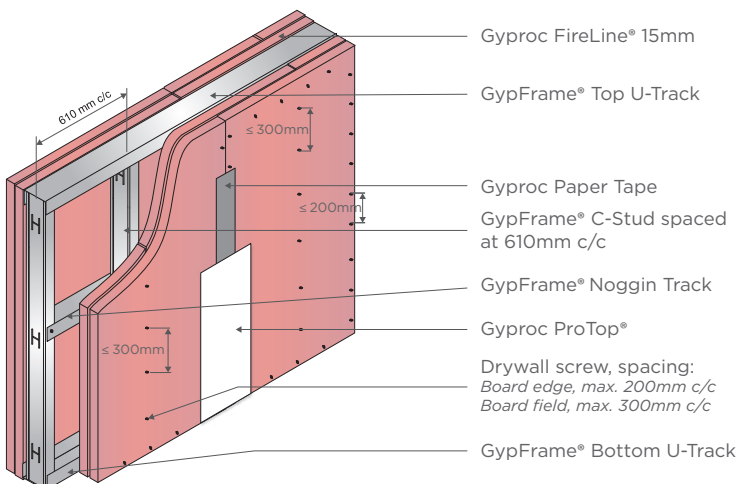
*For ceiling drop more than 3.00m, please contact Gyproc for recommendation



Gyproc Self-Supported 150S75Z

Parameters	Values
Overall System Weight	67.50kg/m ³
Maximum Allowable Loads	3.00kg/m ²
Recommended Maximum Span Width	3.00m
Fire Rating (BS476:PART22)	2 Hour

Gyproc® FIRE Wall System (2 Hours Fire Rated)



GypWall® FIRE DLFL

Parameters	Values
Duty Rating (BS 5234:Part 2)	Severe
Fire Rating (BS 476:Part 22)	2 Hour

*Kindly consult Gyproc for recommendation for wall height more than above stated value

Disclaimer:

The images provided are for reference only. Kindly obtain confirmation from Gyproc's Technical Support Personnel before submission of specification for any project. The information in this literature is accurate at the time of publishing. The publisher reserves all rights to revise the product specifications without prior notice. It is the user's responsibility to ensure that the information communicated here is current before use and that the information provided here is for guidance only. Users must ensure that they are fully conversant with the products and systems before specification or installation.




FireLine®

A gypsum plasterboard comprises of gypsum compound mixed with fiberglass and micro silica in the core, bounded in pink faced paper.




SAINT-GOBAIN MALAYSIA SDN. BHD. (636775-T)
No 1 Jalan Sultan Mohamad 4,
Kawasan Perindustrian Bandar Sultan Suleiman,
42000 Port Klang, Selangor D E, Malaysia.

+603 3169 5588 +603 3169 5688
 www.gyproc.my



SAINT-GOBAIN (SINGAPORE) PTE. LTD.
2 Venture Drive,
#13-18 Vision Exchange,
Singapore 608526.

+65 6330 8288 +65 6330 8289
 www.gyproc.sg