

DuraLine® PLUS

A high impact resistant gypsum plasterboard with a high density core that contains glass fibres and fumed silica, which is encased and firmly bonded to strong paper liners.



DuraLine® PLUS is a high impact resistant gypsum plasterboard with a high density core that contains glass fibres and fumed silica, which is encased and firmly bonded to strong paper liners.

Used in Gyproc Gypwall® ROBUST system, DuraLine® PLUS is universally used for walls that require impact resistance and a durable surface, such as residential, schools and recreational buildings, hospitals, and other institutional buildings, public circulation areas of commercial buildings, hotels, and industrial premises.

DuraLine® PLUS is also available in a moisture-resistant variant known as DuraLine® MR.


CHARACTERISTICS

The gypsum core consists of a higher density mass core with glass fibre and fumed silica, and is encased and firmly bonded to strong paper liners. Achieves a severe duty rating in a single boarded partition system and satisfies BS 5234: Part 2 for strength and robustness requirements.

RECOMMENDED USE

- Used for wall systems that require impact resistance.

PRODUCT FORMAT

Thickness	16mm	19mm
Nominal Weight	14.50kg/m ²	17.10kg/m ²
Nominal Sheet Size*	1220mm x 2440mm	
Edge Type	Recessed Edge	
		

FIRE RATING

- Non-combustible in accordance to BS 476: Part 4
- Low fire propagation in accordance to BS 476: Part 6
- Class 1 surface spread of flame in accordance to BS 476: Part 7
- Classified as Class 0 material in accordance to BS 476: Part 6 & 7
- GypWall system able to provide up to 4 hours fire rating in accordance to BS 476: Part 22

MANUFACTURING SPECIFICATIONS

- In compliance with ASTM C1396M and BS EN 520

HANDLING AND WORKABILITY

- Crack-free
- Seamless and smooth finishing

THERMAL INSULATION

- Recommended design thermal conductivity, k-value = 0.18 W/m.K

HEALTH AND ENVIRONMENTAL CONTRIBUTIONS

- Made from 100% natural gypsum
- Recyclable material, hence environmentally friendly and certified with Green Product Certification Scheme
- Does not produce toxic fumes or hazardous substances that are harmful to health
- Product is manufactured in a facility certified to standards of ISO 14001, ISO 45001

QUALITY ASSURANCE

- Product is manufactured in a facility certified to ISO 9001

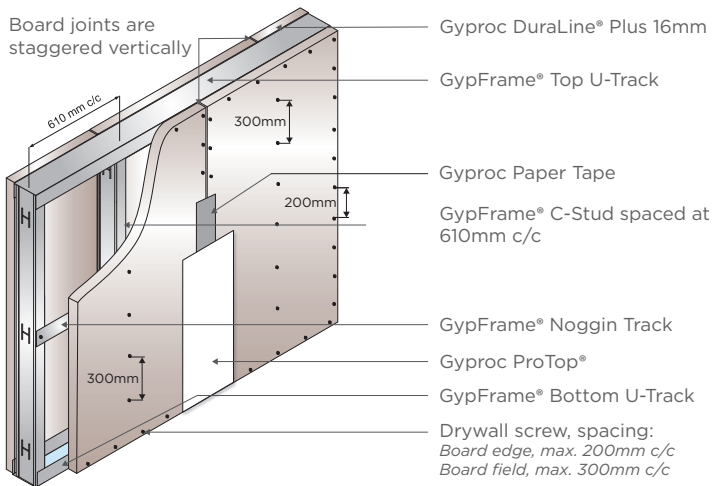




Gyproc ROBUST Wall System

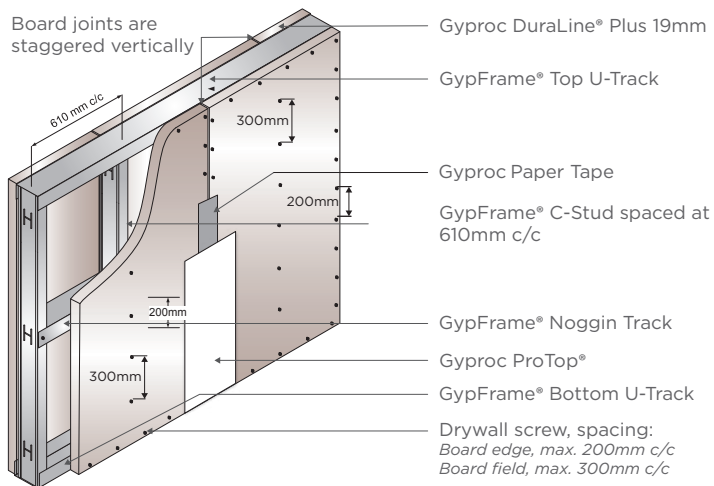
Gyproc ROBUST Wall System is a specially designed impact resistant partition system that offers superior performance alternative to traditional brick walls. The highly durable internal partition system is ideal for homes and high traffic commercial areas where strong and robust walls are required.

Gyproc ROBUST Wall System (1 Hour Fire Rated)



GypWall® ROBUST 16DP.1HR

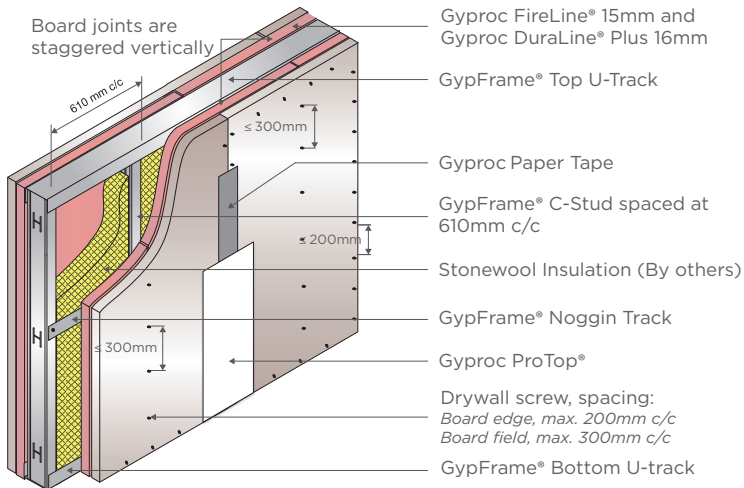
Parameters	Values
Duty Rating (BS 5234:Part 2)	Severe
Fire Rating (BS 476:Part 22)	1 Hour



GypWall® ROBUST 19DP.1HR

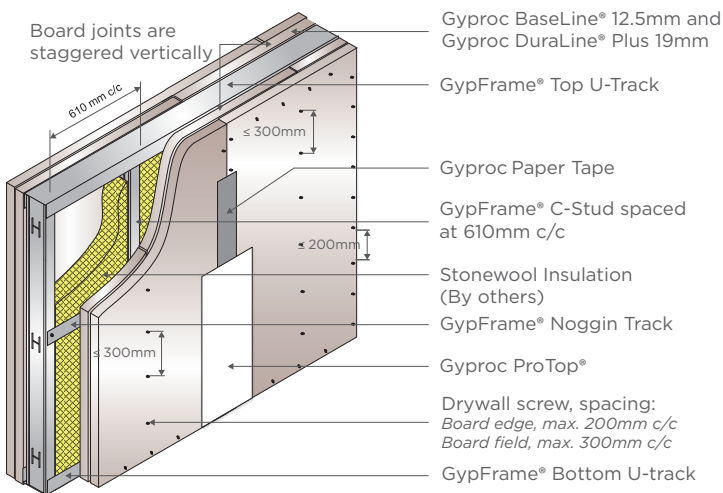
Parameters	Values
Duty Rating (BS 5234:Part 2)	Severe
Fire Rating (BS 476:Part 22)	1 Hour

Gyproc ROBUST Wall System (2 Hour Fire Rated)



GypWall® ROBUST 15FL16DP.SW.2HR

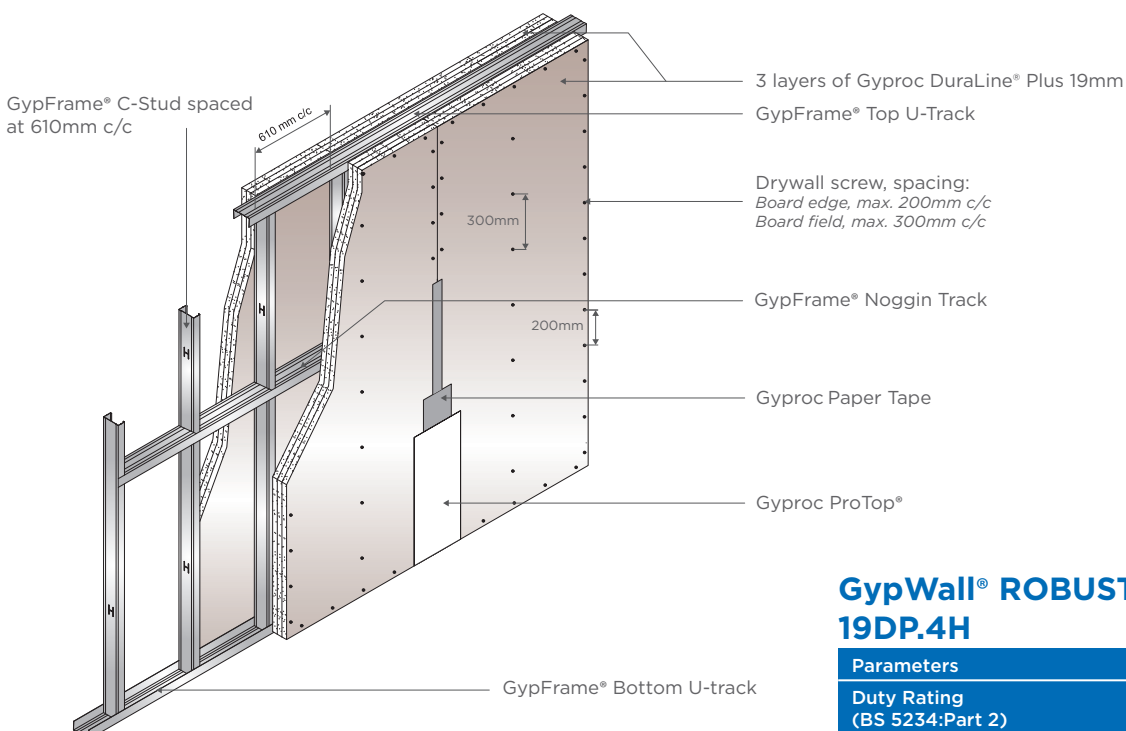
Parameters	Values
Duty Rating (BS 5234:Part 2)	Severe
Fire Rating (BS 476:Part 22)	2 Hour



GypWall® ROBUST BL19DP.SW.2HR

Parameters	Values
Duty Rating (BS 5234:Part 2)	Severe
Fire Rating (BS 476:Part 22)	2 Hour

Gyproc® ROBUST Wall System (4 Hour Fire Rated)



GypWall® ROBUST 19DP.4H

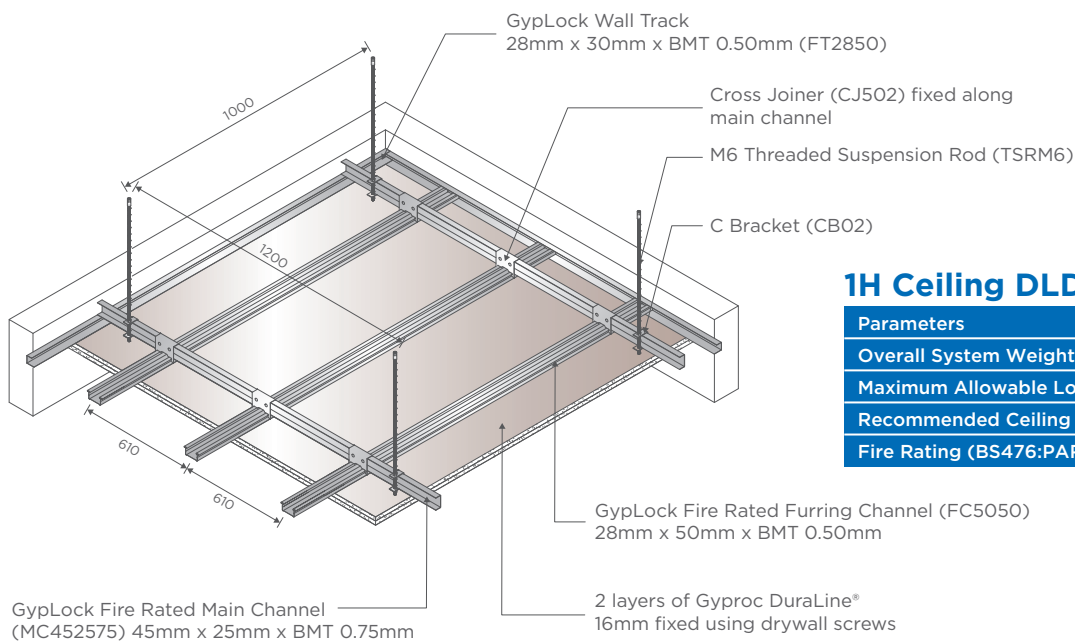
Parameters	Values
Duty Rating (BS 5234:Part 2)	Severe
Fire Rating (BS 476:Part 22)	4 Hour



Gyproc Fire Rated Ceiling System

One of the many Gyproc fire rated ceiling systems that uses DuraLine® Plus, provides up to 1 hour fire rating tested and certified by local authorities.

Gyproc Fire Rated Ceiling System (1 Hour Fire Rated)



1H Ceiling DLDP16

Parameters	Values
Overall System Weight	32.40kg/m ²
Maximum Allowable Loads	3kg/m ²
Recommended Ceiling Drop	1.5m up to 3m
Fire Rating (BS476:PART22)	1 Hour

Disclaimer:
The images provided are for reference only. Kindly obtain confirmation from Gyproc's Technical Support Personnel before submission of specification for any project. The information in this literature is accurate at the time of publishing. The publisher reserves all rights to revise the product specifications without prior notice. It is the user's responsibility to ensure that the information communicated here is current before use and that the information provided here is for guidance only. Users must ensure that they are fully conversant with the products and systems before specification or installation.



SAINT-GOBAIN MALAYSIA SDN. BHD. (636775-T)
No 1 Jalan Sultan Mohamad 4,
Kawasan Perindustrian Bandar Sultan Suleiman,
42000 Port Klang, Selangor D E, Malaysia.
☎ +603 3169 5588 📠 +603 3169 5688
🌐 www.gyproc.my



SAINT-GOBAIN (SINGAPORE) PTE. LTD.
2 Venture Drive,
#13-18 Vision Exchange,
Singapore 608526.
☎ +65 6330 8288 📠 +65 6330 8289
🌐 www.gyproc.sg

